

SOLAR INVERTERS

# ABB string inverters

## PVS-100/120-TL



01

—  
01  
PVS-100/120-TL  
three-phase outdoor  
string inverter

This completely new platform, for extreme high power string inverters with power ratings up to 120 kW, maximizes the ROI for decentralized ground mounted and large rooftop applications. With six MPPT energy harvesting is optimized even in shading situations.

### Extreme power with high integration level

The extreme high power module up to 120 kW saves installation resources as less units are required. Due to its compact size further savings are generated in logistics and in maintenance. Thanks to the integrated DC/AC disconnection, 24 string connections, fuses and surge protection no additional boxes are required.

### Ease of installation

The horizontal and vertical mounting possibility creates flexibility for both ground mounted and rooftop installations. Covers are equipped with hinges and locks that are fast to open and reduce the risk of damaging the chassis and interior components when commissioning and performing maintenance actions.

Standard wireless access from any mobile device makes the configuration of inverter and plant easier and faster. Improved user experience thanks to a build in User Interface (UI) enables access to advanced inverter configuration settings.

The installer mobile APP, available for Android/IOS devices, further simplifies multi-inverter installations.

The design supports both copper and aluminum

The PVS-100/120-TL is ABB's cloud connected three-phase string solution for cost efficient decentralized photovoltaic systems for both ground mounted and large commercial applications.

cabling even up to 185 mm<sup>2</sup> cross section to minimize the energy losses.

### Fast system integration

Industry standard Modbus/SUNSPEC protocol enables fast system integration. Two ethernet ports enable fast and future proof communication for PV plants.

### ABB plant portfolio integration

Monitoring your assets is made easy as every inverter is capable to connect to ABB plant portfolio manager to secure your assets and profitability in long term.

### Design flexibility and shade tolerance

The double stage conversion topology and six MPPT guarantee maximum flexibility for the system design on rooftops or hilly ground.

With this technological choice energy harvesting is optimized even in shading situations.

### Highlights

- 6 independent MPPT
- Transformerless inverter
- 120 kW for 480 Vac and 100 kW for 400 Vac
- Wi-Fi as standard for configuration
- Two ethernet ports for plant level communication
- Large set of specific grid codes available which can be selected directly in the field
- Double stage topology for a wide input range
- Both vertical and horizontal installation
- Separate wiring compartment for fast swap and replacement
- IP66 Environmental protection
- Maximum efficiency up to 98.9%

# ABB string inverters

## PVS-100/120-TL

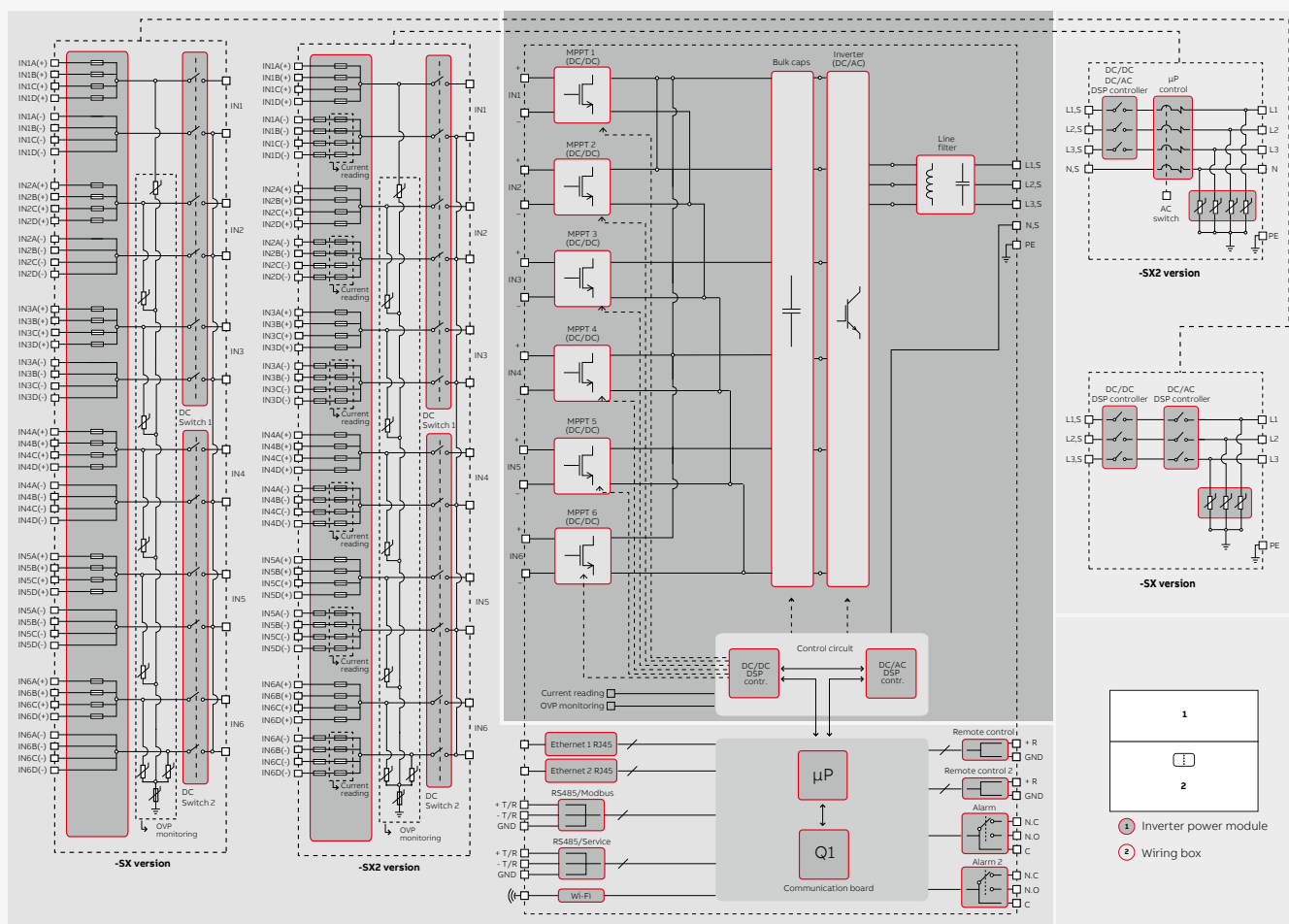
### 100 to 120 kW



#### Technical data and types

Type code	PVS-100-TL	PVS-120-TL
<b>Input side</b>		
Absolute maximum DC input voltage ( $V_{max,abs}$ )	1000V	
Start-up DC input voltage ( $V_{start}$ )	420V (400...500 V)	
Operating DC input voltage range ( $V_{dcrmin}...V_{dcrmax}$ )	360...1000 V	
Rated DC input voltage ( $V_{dcr}$ )	620V	720V
Rated DC input power ( $P_{dcr}$ )	102 000W	123 000W
Number of independent MPPT	6	
MPPT input DC voltage range at ( $V_{MPPTmin}...V_{MPPTmax}$ ) at $P_{acr}$	480...850V	570...850V
Maximum DC input power for each MPPT ( $P_{MPPT,max}$ )	17500 W [ $480V \leq V_{MPPT} \leq 850V$ ]	20500 W [ $570V \leq V_{MPPT} \leq 850V$ ]
Maximum DC input current for each MPPT ( $I_{dcr,max}$ )	36 A	
Maximum input short circuit current ( $I_{sc,max}$ ) for each MPPT	50 A <sup>1)</sup>	
Number of DC input pairs for each MPPT	4	
DC connection type	PV quick fit connector <sup>2)</sup>	
<b>Input protection</b>		
Reverse polarity protection	Yes, from limited current source	
Input over voltage protection for each MPPT - replaceable surge arrester	Type 2 with monitoring	
Photovoltaic array isolation control	as per IEC62109	
DC switch rating for each MPPT	50 A / 1000 V	
Fuse rating (versions with fuses)	15 A / 1000 V <sup>3)</sup>	
String current monitoring	SX2: (24ch) Individual string current monitoring; SX: (6ch) Input current monitoring per MPPT	
<b>Output side</b>		
AC Grid connection type	Three phase 3W+PE or 4W+PE	
Rated AC power ( $P_{acr}@cos\phi=1$ )	100 000 W	120 000 W
Maximum AC output power ( $P_{ac,max}@cos\phi=1$ )	100 000 W	
Maximum apparent power ( $S_{max}$ )	100 000 VA	
Rated AC grid voltage ( $V_{acr,r}$ )	400 V	480 V
AC voltage range	320...480 V <sup>4)</sup>	384...576 <sup>3)</sup>
Maximum AC output current ( $I_{ac,max}$ )	145 A	
Rated output frequency ( $f_r$ )	50 Hz / 60 Hz	
Output frequency range ( $f_{min}...f_{max}$ )	45...55 Hz / 55...65 Hz <sup>5)</sup>	
Nominal power factor and adjustable range	> 0.995, 0...1 inductive/capacitive with maximum $S_{max}$	
Total current harmonic distortion	< 3%	
Maximum AC cable	185mm <sup>2</sup> Aluminum and copper	
AC connection type	Provided bar for lug connections M10, single core cable glands 4xM40 and M25, multi core cable gland M63 as option	
<b>Output protection</b>		
Anti-islanding protection	According to local standard	
Maximum external AC overcurrent protection	225 A	
Output overvoltage protection - replaceable surge protection device	Type 2 with monitoring	
<b>Operating performance</b>		
Maximum efficiency ( $\eta_{max}$ )	98.4%	98.9%
Weighted efficiency (EURO)	98.2%	98.6%
<b>Communication</b>		
Embedded communication interfaces	1x RS485, 2x Ethernet (RJ45), WLAN (IEEE802.11 b/g/n @ 2,4 GHz)	
User interface	4 LEDs, Web User Interface	
Communication protocol	Modbus RTU/TCP (Sunspec compliant)	
Commissioning tool	Web User Interface, Mobile APP/APP for plant level	
Remote monitoring services	Aurora Vision® monitoring portal	
Advanced features	Embedded logging, direct telemetry data transferring to ABB cloud	
<b>Environmental</b>		
Ambient temperature range	-25...+60°C / -13...140°F with derating above 40°C / 104 °F	

ABB PVS-100/120-TL string inverter block diagram



Technical data and types

Type code	PVS-100-TL	PVS-120-TL
Relative humidity	4%...100% condensing	
Sound pressure level, typical	68dB(A) @ 1m	
Maximum operating altitude without derating	2000 m / 6560 ft	
<b>Physical</b>		
Environmental protection rating	IP 66 (IP54 for cooling section)	
Cooling	Forced air	
Dimension (H x W x D)	869x1086x419 mm / 34.2" x 42.8" x 16.5"	
Weight	70kg / 154 lbs for power module ; ~55kg / 121 lbs for wiring box Overall max 125 kg / 276 lbs	
Mounting system	Mounting bracket vertical & horizontal support	
<b>Safety</b>		
Isolation level	Transformerless	
Marking & EMC	CE conformity according to LV and EMC directives	
Safety	IEC/EN 62109-1, IEC/EN 62109-2	
Grid standard (check your sales channel for availability)	CEI 0-16, CEI 0-21, IEC 61727, IEC 62116, IEC 60068, IEC 61683, JORDAN IRR-DCC-MV, AS/NZS4777.2, VDE-AR-N 4105, VDE V 0-126-1-1, VFR 2014, Belg C10-C11, UK59/3, P.O. 12.3, ITC-BT-40, EN50438 Generic +Ireland, CLC-TS 50549-1/2	

Available products variants

Inverter power module	PVS-100-TL-POWERMODULE-400	PVS-120-TL-POWERMODULE-480
24 ch quick input connections + fuses (both poles) + DC switches + individual string current monitoring (ch 24) + AC breaker + surge arresters Type 2, (DC & AC)	WB-SX2-PVS-100-TL	WB-SX2-PVS-120-TL
24 ch quick input connections + fuses (single pole) + DC switches + input current monitoring per MPPT (ch 6) + surge arresters Type 2 (DC & AC)	WB-SX-PVS-100-TL	WB-SX-PVS-120-TL

Optional available

Support for multi core AC cable M63 + M25 (PE)	AC output panel M63 for wiring box
--	------------------------------------

1) Maximum number of opening 5 under overloading  
 2) Please refer to the document "String inverters – Product manual appendix" available at [www.abb.com/solarinverters](http://www.abb.com/solarinverters) for information on the quick-fit connector brand and model used in the inverter  
 3) Maximum fuse size supported 20 A. Additionally one string input per MPPT supports

32 A fuse sizes for connecting two strings per input  
 4) The AC voltage range may vary depending on specific country grid standard  
 5) Frequency range may vary depending on specific country grid standard  
**Remark. Features not specifically listed in the present data sheet are not included in the product**

---

For more information please contact  
your local ABB representative or visit:

**[www.abb.com/solarinverters](http://www.abb.com/solarinverters)**  
**[www.abb.com](http://www.abb.com)**

---

We reserve the right to make technical  
changes or modify the contents of this  
document without prior notice. With  
regard to purchase orders, the agreed  
particulars shall prevail. ABB AG does not  
accept any responsibility whatsoever for  
potential errors or possible lack of  
information in this document.

We reserve all rights in this document and  
in the subject matter and illustrations  
contained therein. Any reproduction,  
disclosure to third parties or utilization of  
its contents – in whole or in parts – is  
forbidden without prior written consent of  
ABB AG. Copyright© 2017 ABB  
All rights reserved

