

Three-phase On-grid String Inverter

SPI8K-B/SPI10K-B/SPI12K-B/SPI15K-B/SPI17K-B/SPI20K-B



Features

Efficient and Flexible

- 2 independent MPPT, more generation
- Advanced control algorithms and high adaptation ability to the grid, improving the stability of power generation system

Safe and Reliable

- IP65 for outdoor application
- Integrated AC/DC full lightning protection
- All industrial grade electronic device, ensure 25 years full life circle running

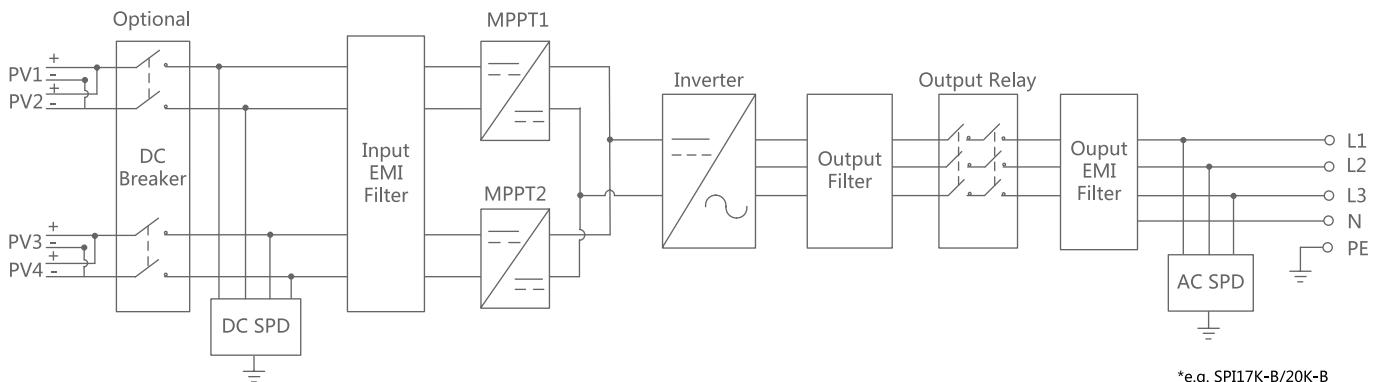
Intelligent Management

- I&V Intelligent diagnosis, accurate identification and positioning of abnormal PV panels
- Support RS485, Wifi, GPRS communication
- Remote online upgrade, convenient and efficient

Grid Friendly

- Grid-connected current harmonics <3%, green adapts to grid
- Ultra wide grid voltage range, with LVRT function

Function Diagram



Technical Specification

Items	SPI8K-B	SPI10K-B	SPI12K-B	SPI15K-B	SPI17K-B	SPI20K-B
DC Input						
Max. Input Voltage	1000Vdc					
Max. Input Current	22A+11A	22A+11A	22A+22A	22A+22A	22A+22A	22A+22A
No. of MPPTs / Strings per MPPT	2/3	2/3	2/4	2/4	2/4	2/4
MPPT Voltage Range	180V~950V					
Start Up Voltage	200Vdc					
MPPT Efficiency	99.90%					
AC Output						
Nominal AC Output Power	8kW	10kW	12kW	15kW	17kW	20kW
Max. Output Power	8.8kW	11kW	13.2kW	16.5kW	18.7kW	22kW
Nominal AC Voltage	380/400/415Vac					
Rated Output Current	11.6A	14.5A	17.4A	21.7A	24.6A	29.0A
Maxi. Output Current	12.8A	15.9A	19.1A	23.9A	27.1A	31.9A
Nominal Grid Frequency	50Hz/60Hz					
Grid Frequency Range	45~55Hz/55~65Hz					
Power Factor	>0.99 (full load)					
PF Adjustable Range	0.8 (leading)-0.8 (lagging)					
THDi	<3% (nominal power)					
Efficiency						
Max. Efficiency	98.5%		98.6%			
European Efficiency	98.0%		98.3%			
Protection						
Anti-islanding	Yes					
DC Reversed Connection	Yes					
AC Short Circuit	Yes					
Temperature Protection	Yes					
Surge Protection	Yes					
PV Fault Detect	Yes					
Smart meter	Optional					
Anti-reflux function	Optional					
DC Switch	Optional					
Others						
Dimension (W×H×D)	480×420×180mm		480×420×180mm			
Weight	23kg		25kg			
Noise Emission (typical)	<30dB		<50dB			
IP Grade	IP65					
Self-consumption at Night	<1W					
Cooling	Natural cooling		Intelligent forced air cooling			
Altitude	4000m (>3000m derating)					
Operating Temperature Range	-25°C~+60°C					
Operating Humidity	0~95%, non-condensation					
Display	LCD+LED					
Communication	RS485/WiFi/GPRS					
DC Terminal	MC4 Terminal					
AC Terminal	Connector Bar					
Installation	Wall-mounted					
Compliance with Standards	EN62109-1, EN62109-2 NB/T32004, AS3100, AS4777, EN 61000-6-2, EN 61000-6-3					

*Specifications are subject to change without prior notice.