

## Three-phase On-grid String Inverter

SPI30K-B/SPI33K-B/SPI36K-B/SPI40K-B/SPI50K-B/SPI60K-B



### Features

#### High Efficient

- 3level topology, maximum efficiency 99.00%
- 3/4 MPPT design

#### Safe and Reliable

- Outdoor IP65 design, no derating below 3000m altitude
- All industrial grade electronic device, ensure 25 years full life circle running.

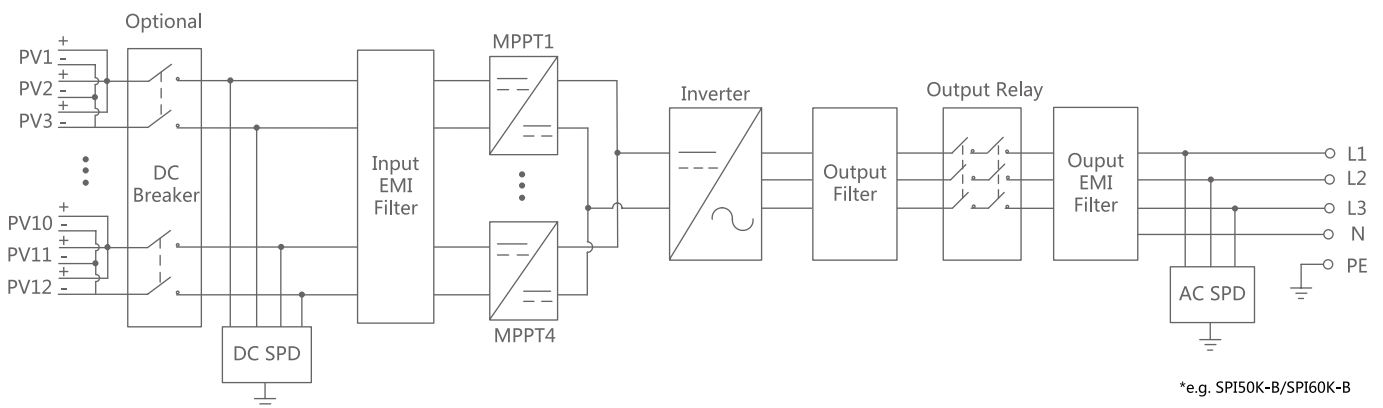
#### Intelligent Management

- Intelligent fault wave recording, quick failure analysis & V Intelligent diagnosis, accurate identification and positioning of abnormal PV panels
- Intelligent online upgrade function, easy upgrade and maintain
- Support RS485, Wifi, GPRS communication

#### Grid Friendly

- Grid-connected current harmonics <3%, green adapts to grid
- Ultra wide grid voltage range, with LVRT function

### Function Diagram



## Technical Specification

Items	SPI30K-B	SPI33K-B	SPI36K-B	SPI40K-B	SPI50K-B	SPI60K-B
<b>DC Input</b>						
Max. Input Voltage	1000V					
Max. Input Current	60A (2×30A)	67A (2×33.5A)	67A (2×33.5A)	90A (3×30A)	120A (4×30A)	120A (4×30A)
No. of MPPTs / Strings per MPPT	2/6	2/6	2/6	3/9	4/12	4/12
MPPT Voltage Range	300V~1000V					
Start Up Voltage	350Vdc					
MPPT Efficiency	99.90%					
<b>AC Output</b>						
Nominal AC Output Power	30kW	33kW	36kW	40kW	50kW	60kW
Max. Output Power	33kW	36.3kW	40kW	44kW	55kW	66kW
Nominal AC Voltage	380/400Vac					
Rated Output Current	45.6A	50.1A	54.7A	60.8A	75.9A	91.2A
Max. Output Current	50.1A	55.2A	60.8A	66.9A	83.6A	100.3A
Rated Grid Frequency	50Hz/60Hz					
Grid Frequency Range	45~55Hz/55~65Hz					
Power Factor	>0.99 (full load)					
PF Adjustable Range	0.8 (leading)-0.8 (lagging)					
THDi	<3% (nominal power)					
<b>Efficiency</b>						
Max. Efficiency	98.50%	98.52%	98.70%	98.80%	99.00%	99.00%
European Efficiency	98.35%	98.35%	98.38%	98.40%	98.48%	98.52%
<b>Protection</b>						
Anti-islanding	Yes					
DC Reversed Connection	Yes					
AC Short Circuit	Yes					
Temperature Protection	Yes					
Surge Protection	Yes					
PV Fault Detect	Yes					
DC Switch	Optional					
<b>Others</b>						
Dimension (W×H×D)	600x860x294mm					
Weight	65kg					
IP Grade	IP65					
Self Power Consumption at Night	<1W					
Cooling	Intelligent forced air cooling					
Altitude	4000m (>3000m derating)					
Operating Temperature Range	-25°C~+60°C					
Operating Humidity	0~95%, non-condensation					
Display	LCD+LED					
Communication	RS485/WiFi/GPRS					

\*Specifications are subject to change without prior notice.