

# Three-phase On-grid String Inverter UL Standard Compliant

SPI50K-BHV/SPI60K-BHV/SPI70K-BHV/SPI80K-BHV



## Features

### Efficient and Flexible

- Wide MPPT range 300~1000V
- Peak efficiency up to 99.0%, transformerless
- 3/4 MPPTs, MPPT achieve 99.9%
- 0-90° Mounting orientation for lay on roof installs

### High Reliability

- Using top global components to ensure reliability
- DC reverse connection & AC short circuit protection
- Sensitive current leakage protection
- DC & AC SPD
- Arc-Fault circuit protection
- Integrated AC & DC disconnect switches
- Comply with array level rapid shutdown in accordance with NEC code

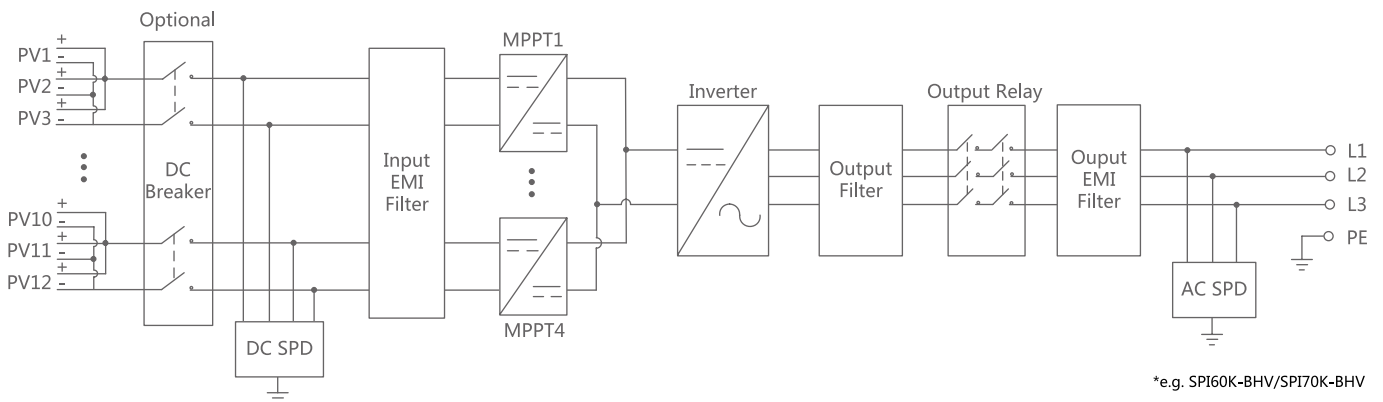
### Excellent Performance

- Grid-friendly with LVRT and accept grid dispatching
- NEMA 4X outdoor application
- Up to 1.5 : 1 PV Power to Inverter Load
- Anti-PID function for option
- California Rule 21 compliant

### User Friendly

- RS485/Wi-Fi/USB for option, easy monitoring
- Easy installation and low cost of O & M

## Function Diagram



## Technical Specification

Items	SPI50K-BHV	SPI60K-BHV	SPI70K-BHV	SPI80K-BHV
<b>DC Input</b>				
Max. Input Power	57kW	69kW	77kW	87kW
Max. Input Voltage	1100Vdc			
Start Up Voltage	300Vdc			
MPPT Voltage Range	300Vdc~950Vdc			
MPPT Voltage Range for Nominal Power	540Vdc~850Vdc	625Vdc~850Vdc	600Vdc~850Vdc	600Vdc~850Vdc
No. of MPPTs	4			
Max. Number of PV Strings	3×3	4×3	4×3	4×4
MPPT Efficiency	99.90%			
<b>AC Output</b>				
Nominal AC Output Power	50kW	60kW	70kW	80kW
Max. Output Power	55kW	66kW	77kW	88kW
Nominal AC Voltage	500Vac	480Vac	540Vac	540Vac
Rated Output Current	63.5A	79.4A	82.3A	94.1A
Nominal Grid Frequency	50Hz/60Hz			
Power Factor	>0.99 (full load)			
PF Adjustable Range	0.8 (leading)-0.8 (lagging)			
THDi	<3% (nominal power)			
<b>Efficiency</b>				
Max. Efficiency	99%	99%	99%	99%
European Efficiency	98.4%	98.43%	98.49%	98.49%
<b>Protection</b>				
Anti-islanding	Yes			
LVRT	Yes			
DC Reverse Connection Protection	Yes			
AC Short Circuit Protection	Yes			
Leakage Current Protection	Yes			
DC Switch	Yes			
Overcurrent Protection	Yes			
PV Fault Detect	Yes			
DC Lightning Protection	Yes			
AC Lightning Protection	Yes			
Over Temperature Alarm/Protection	Yes			
<b>System Data</b>				
Dimension (W×H×D)	600×860×294mm			
Weight	68kg			
IP Grade	IP65			
Self-consumption at Night	<1W			
Cooling	Intelligent forced air cooling			
Operating Temperature Range	-25°C~+60°C			
DC Connection Type	MC4			
AC Connection Type	Screw Terminals			
Communication	USB, RS485, Wifi (optional), GPRS (optional), Ethernet (optional)			
Compliance with Standards	UL 1741/ UL 1741 SA/ IEEE 1547/ IEEE-1547A/ UL 1699B/ FCC part 15B /California Rule 21			
Warranty	5 years (10 or 15 years extended service can be purchased)			

\*Specifications are subject to change without prior notice.